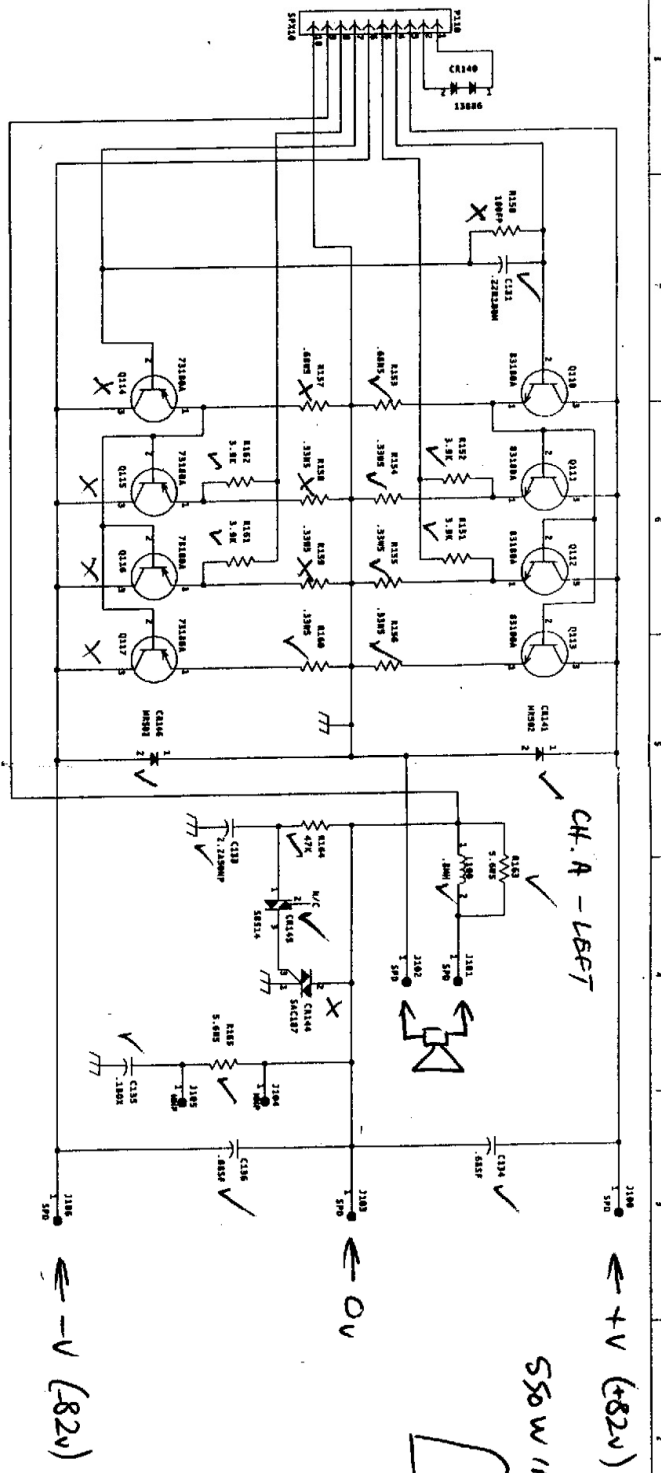
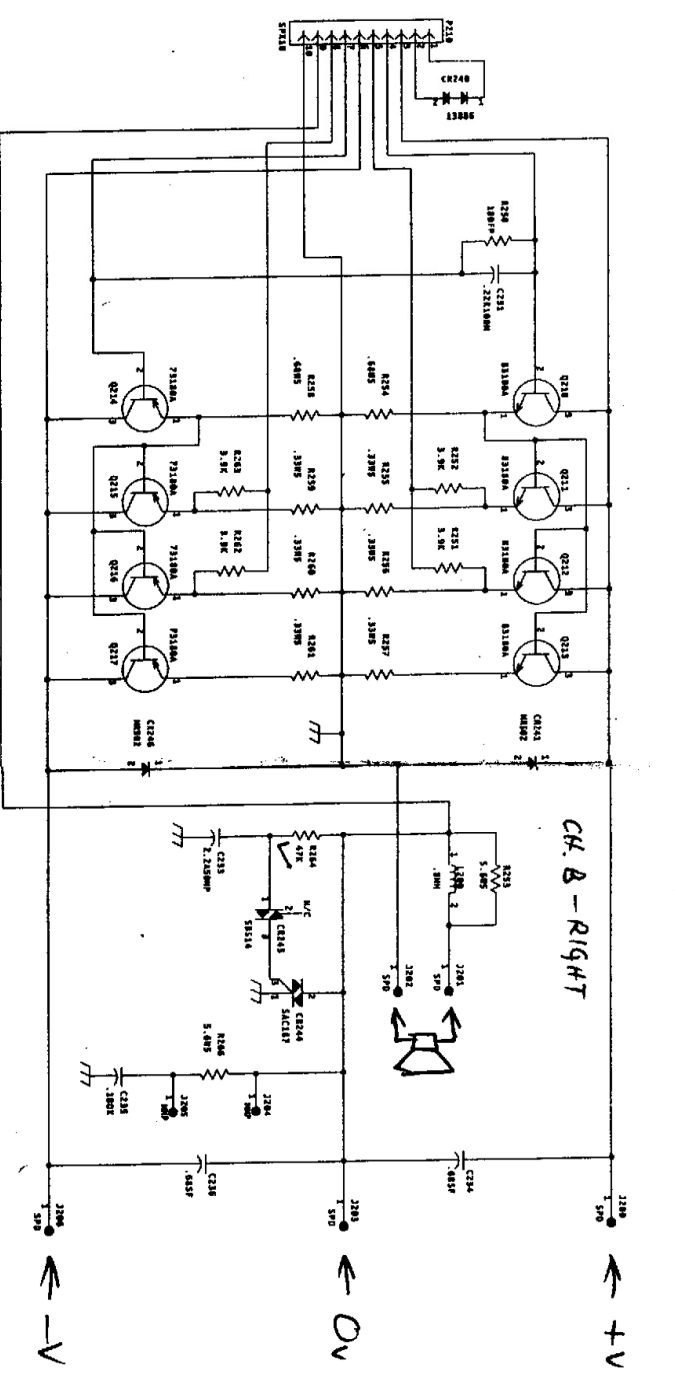


- 1
- 2
- 3 +V
- 4 → DRIVE (+)
- 5 FEEDBACK
- 6 -V
- 7 → DRIVE (-)
- 8 FEEDBACK
- 9 FEEDBACK / 0V
- 10 CHASSIS



550 W IN τ_0 $2 \Omega = 33 \text{ RMS}$

46V



NOTICE: THIS SCHEMATIC IS THE PROPERTY OF PEAVY ELECTRONICS CORP. AND IS NOT TO BE REPRODUCED OR TRANSMITTED IN ANY FORM OR BY ANY MEANS, ELECTRONIC OR MECHANICAL, INCLUDING PHOTOCOPYING, RECORDING, OR BY ANY INFORMATION STORAGE AND RETRIEVAL SYSTEM, WITHOUT THE WRITTEN PERMISSION OF PEAVY ELECTRONICS CORP. MADE IN U.S.A. PATENT PENDING.

LAST REF USED: C235, C245, C255, C265, C275, C285, C295, C305, C315, C325, C335, C345, C355, C365, C375, C385, C395, C405, C415, C425, C435, C445, C455, C465, C475, C485, C495, C505, C515, C525, C535, C545, C555, C565, C575, C585, C595, C605, C615, C625, C635, C645, C655, C665, C675, C685, C695, C705, C715, C725, C735, C745, C755, C765, C775, C785, C795, C805, C815, C825, C835, C845, C855, C865, C875, C885, C895, C905, C915, C925, C935, C945, C955, C965, C975, C985, C995, C1000

081502282

| | |
|--------------------------|---------|
| PEAVY ELECTRONICS CORP. | |
| 211 N STREET | |
| WHEELING, MARYLAND 21151 | |
| DATE | 9/27/73 |
| BY | A |
| CHKD | |
| APP'D | |
| REV | |
| SHEET 1 OF 1 | |